

LogiLink®

Height Adjustable Projector Trolley

Art. No.: BP0068



Designed to mount the computer under the desk to save more space in the working area.

Features:

- » One shelf can be tilted 35° up and down to optimize your typing angle
- » Two height adjustable levels (772mm or 872mm)
- » 4 casters offer maximum stability (2 lockable)
- » Raised edge keeps your device from sliding off
- » Durable product with maximum capacity of 10kg
- » Ideal for conference center, hotel, meeting room, classroom and showroom



Height adjustment satisfies different preference



shelf can be tilted 35° up and down



Raised edge keeps your device from sliding off



casters offer maximum stability (2 lockable)



* The specifications and pictures are subject to change without notice.
* All trade names referenced are the registered trademark of their respective owners.



Made in China

LogiLink®

Height Adjustable Projector Trolley

Art. No.: BP0068



Specification:

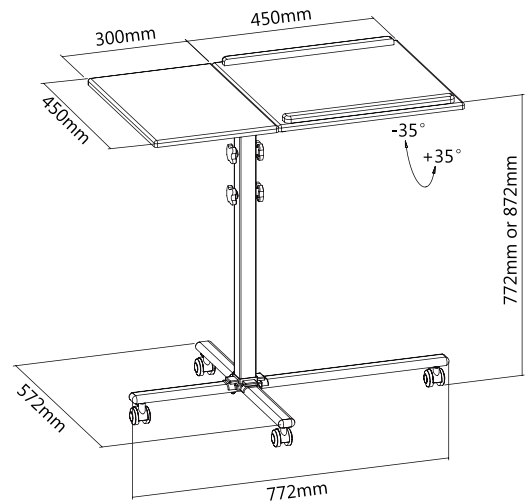
Material	MDF & Melamine, Steel
Dimensions	872 x 772 x 572mm
Worksurface Size (LxW)	300 x 450mm, 450 x 450mm
Height Range	772-872mm
Height Adjustment	Manual
Worksurface Weight Capacity	10kg
Keyboard Weight Capacity	10kg
Installation	Floor Stand

Package Contents:

- » 1 x Laptop Trolley
- » 1 x Screw Pack
- » 1 x User Manual

Package Informations:

- » Packing Dimension: mm
- » Packing Weight: kg
- » Carton Dimension: mm
- » Carton Q'ty: pcs
- » Carton Weight: kg



* The specifications and pictures are subject to change without notice.
*All trade names referenced are the registered trademark of their respective owners.



BP0068



Made in China

Best Connectivity