



LogiLink®

Height Adjustable Display Cart

For 60"-100" TV

Art. No.: BP0084



The high quality multifunctional display cart is stylish and perfect solution for office presentation.



RoHS
compliant



*The specifications and pictures are subject to change without prior notice.
*All trade names referenced are the registered trademarks of their respective owners.



BP0084



4 052792 057492

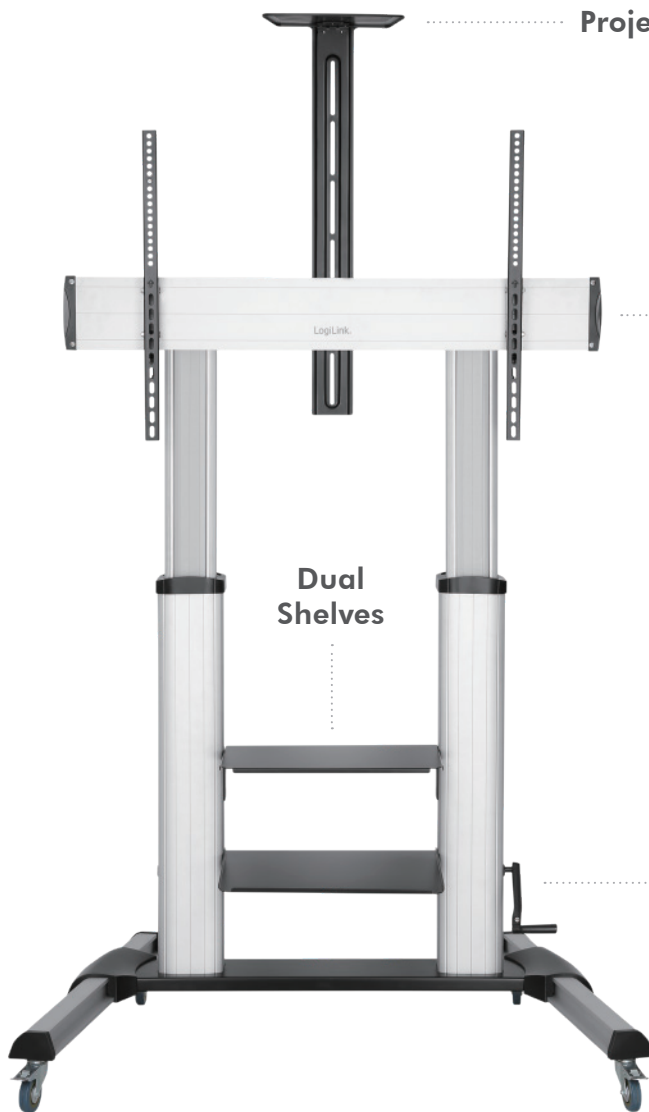
Made in China

LogiLink®

Height Adjustable Display Cart

For 60"-100" TV

Art. No.: BP0084



Projector Shelf



Toolless Tilt

Adjust viewing position effortlessly.

Dual
Shelves



Crank Handle

Effortless TV height adjustment with crank handle for providing a better viewing experience.

Heavy Duty Casters with Locks

Easy to move the display cart with four locking heavy-duty casters.

Best Connectivity



RoHS
compliant



*The specifications and pictures are subject to change without prior notice.
*All trade names referenced are the registered trademarks of their respective owners.



BP0084



4 052792 057492

Made in China

LogiLink®

Height Adjustable Display Cart

For 60"-100" TV

Art. No.: BP0084



Specifications:

Screen Size	60"-100"
TV Weight Capacity	100kg
Shelf Weight Capacity	5kg for each
Projector Shelf Weight Capacity	5kg
Tilt	-10°~5°
VESA	200x200, 300x300, 400x200, 400x400, 600x400, 800x400, 800x600, 1000x600
Material	Steel, Plastic, Aluminum
Color	Black and Grey
Product Size	1138 x 700 x 2366mm

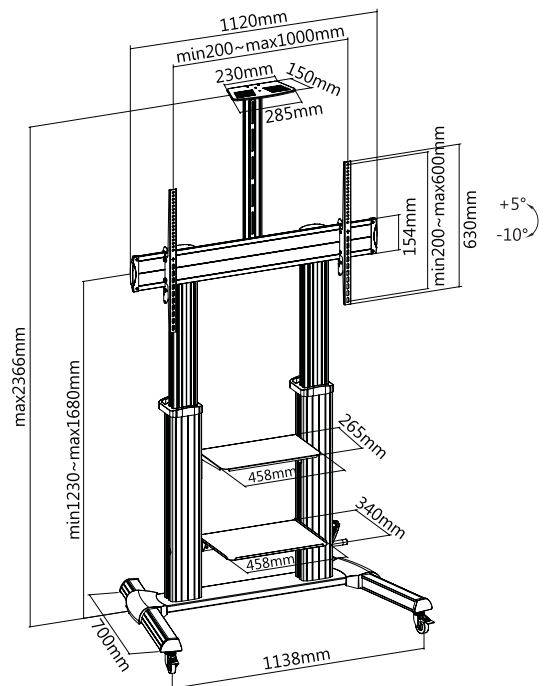


Package Contents:

- » 1 x Display Cart
- » 1 x Screw Package
- » 1 x User Manual

Package Information:

- » Packing Dimension: mm
- » Packing Weight: kg
- » Carton Dimension: mm
- » Carton Q'ty: pcs
- » Carton Weight: kg



*The specifications and pictures are subject to change without prior notice.
*All trade names referenced are the registered trademarks of their respective owners.



BP0084



Made in China