



LogiLink®

Space-Saving Dual Monitor Desk Mount

For 17"-27" Flat/Curved Monitors

Art. No.: BP0102



A versatile ergonomic solution designed to help transform your workspace. The space-saving adjustable arm provides comfortable viewing angles and a convenient fold-away feature.



RoHS
compliant

*The specifications and pictures are subject to change without prior notice.
*All trade names referenced are the registered trademarks of their respective owners.



BP0102



4 052792 060065

Made in China



LogiLink®

Space-Saving Dual Monitor Desk Mount

For 17"-27" Flat/Curved Monitors

Art. No.: BP0102



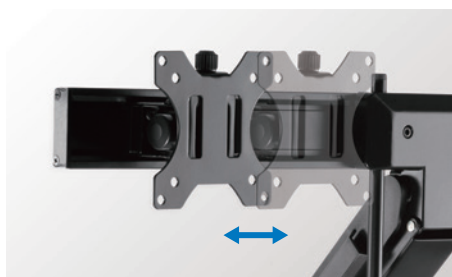
Space-Saving Design

Fits 17"-27" monitors, folding up flatly against a wall to free up more space on your desk.



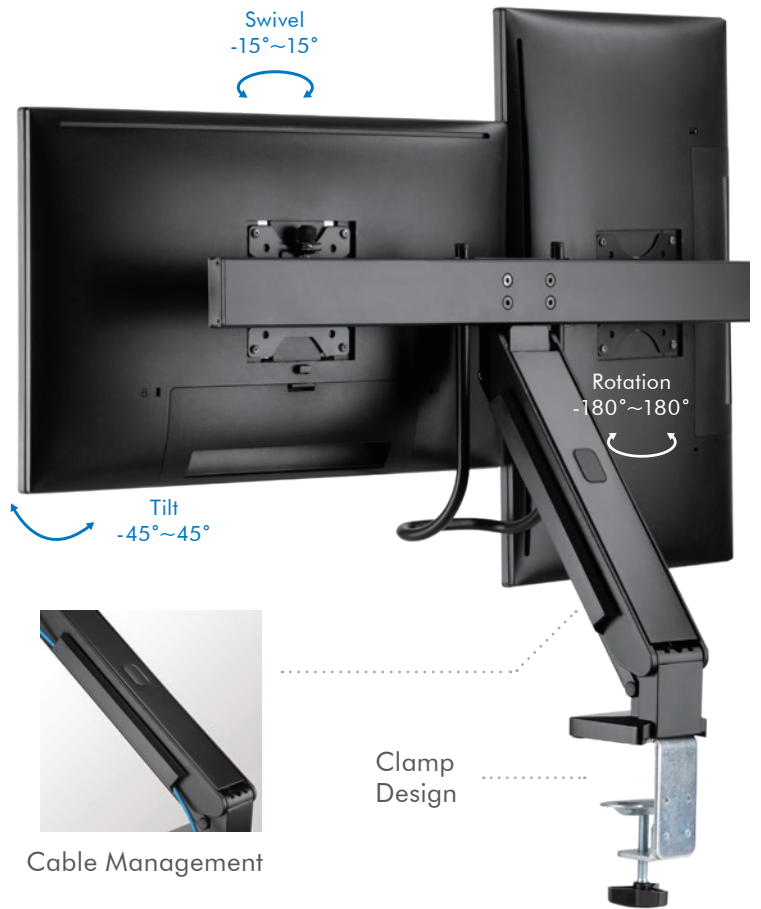
Smooth Manual Adjustability

Convenient handle for desired height adjustment.



Lateral Movement

Lateral shift bracket allows for desired left and right viewing angles.



Handle



*The specifications and pictures are subject to change without prior notice.
*All trade names referenced are the registered trademarks of their respective owners.



Made in China

Best Connectivity



LogiLink®

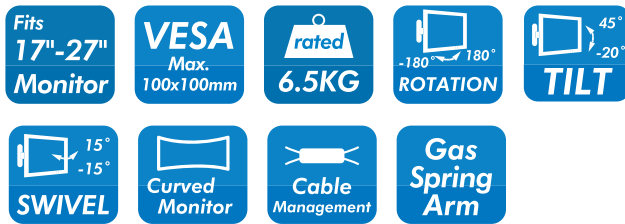
Space-Saving Dual Monitor Desk Mount

For 17"-27" Flat/Curved Monitors

Art. No.: BP0102

Specification:

Screen Size	17"-27"
Rated Load	6.5kg
VESA	75x75, 100x100
Tilt	-20°~45°
Swivel	-15°~15°
Rotation	-180°~180°
Clamp Thickness	10-85mm
Color	Black
Dimensions	717 x 128 x 628mm

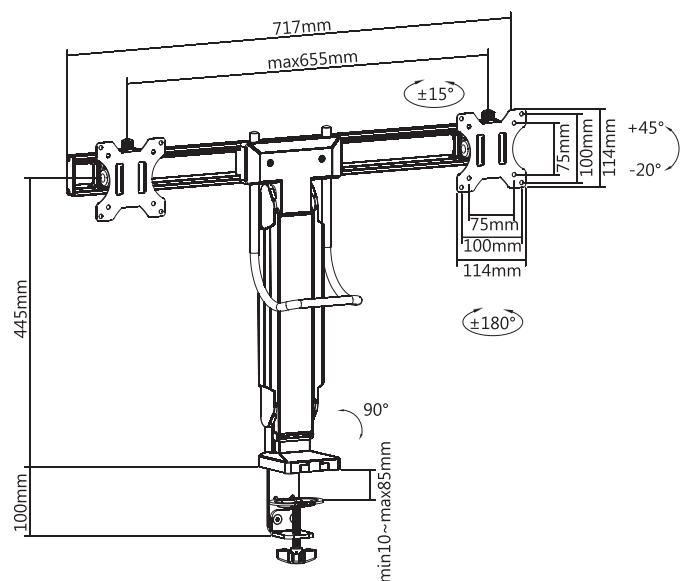


Package Contents:

- » 1 x Monitor Desk Mount
- » 1 x Screw Package
- » 1 x User Manual

Package Information:

- » Packing Dimension: 773 x 275 x 103mm
- » Packing Weight: 5.56kg
- » Carton Dimension: 790 x 295 x 440mm
- » Carton Q'ty: 4pcs
- » Carton Weight: 23.24kg



*The specifications and pictures are subject to change without prior notice.
*All trade names referenced are the registered trademarks of their respective owners.



Best Connectivity